

# Solo-N5H

## Affordable 300Mbps 5GHz WISP Outdoor AP/CPE



- » 5GHz IEEE 802.11an MIMO
- » Data-rate up to 300Mbps
- » Long-Range Distance
- » RF output power adjustable
- » Multiple ESSID
- » VLAN supported
- » Passive 24V PoE

---

### Friendly Interface

---



RJ45  
Waterproof

PWR  
WLAN  
LAN



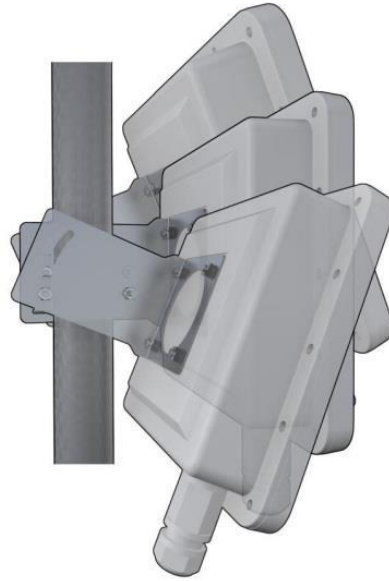
Reset

# Solo-N5H

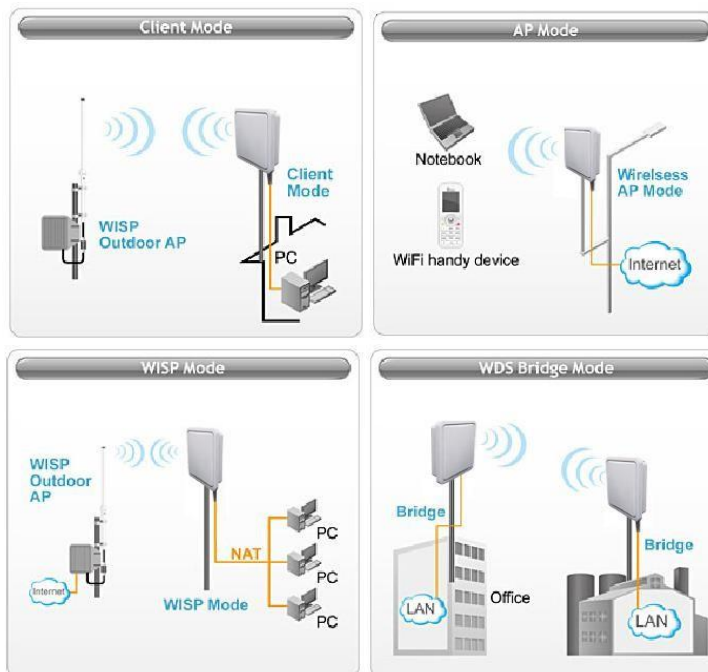
## Affordable 300Mbps 5GHz WISP Outdoor AP/CPE

Antenna Angle Adjustable

Mast Mount



Application



# Solo-N5H

## Affordable 300Mbps 5GHz WISP Outdoor AP/CPE

### Specification

Model	Solo-N5H		
Chipset	Atheros AR7240	Wireless Mode	AP Router AP Bridge Client Adapter
Frequency	5GHz		
Flash/SDRAM	8M / 32M		Client Router WDS Bridge
Data Rate	802.11a: 54, 48, 36, 24, 18, 12, 9 & 6Mbps 802.11n: up to 300Mbps	Software	Distance control ACK timeout SNMP V.1, V.2 VLAN Client Isolation Access control list
Interface	1x Ethernet RJ45 (PoE) 1x Ethernet RJ45 WAN) 3x LED indicator 1x Reset button	Security	64/128bit WEP WPA(TKIP with IEEE 802.1x) WPA2802.1x authentication (AES with IEEE 802.1x)
Sensitivity	-92dBm @ 802.11a -94dBm @ 802.11n	Output Power	Up to 27dBm
Antenna	Build-in high-gain Mimo Antenna	Power requirement	24VDC Passive PoE
Dimension(mm)	230 x 230 x 75mm	Mounting	Antenna adjustable mast mount
Material	Plastic UV protect		

### Package contents

Changes to specifications and descriptions may change at any time without prior notice

- » Solo-N5H Device
- » L-mount kits
- » PoE adapter 24VDC
- » Power cord for PoE adapter
- » RJ45 waterproof accessory
- » LED+Reset waterproof cover