

AGA-5828T

5.8GHz Grid Antenna 28dBi

Applications

- 802.11a/n Wireless LAN system
- 5.8GHz UNII/ISM Application
- Long-Range Direction Applications
 - Point to Point
 - Point to Multi-Point
 - Wireless Bridge
 - Backhaul / Client Antenna

Features

- Superior Performance
- Aluminum Die Cast Grid
- UV stable light gray powder coat finish
- All Weather Operation



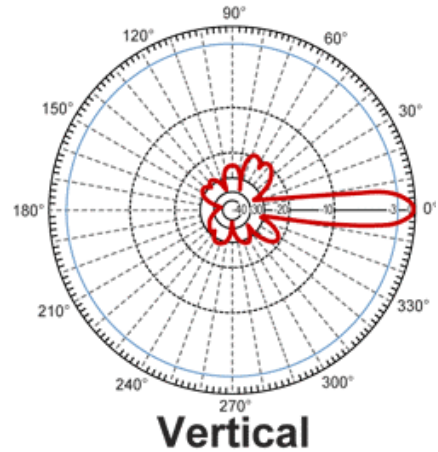
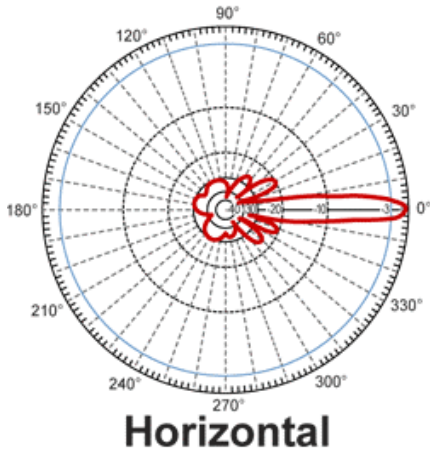
Specifications

Model	AGA-5828T
Frequency Range	5150~5850MHz
Gain	28dBi
VSWR	≤ 1.5
Horizontal Beamwidth	6°
Vertical Beamwidth	4°
Impedance	50Ω
Maximum Input Power	200W
Connector	N Female
Dimension	600 x 900 mm
Mounting Mast Diameter	30Ø~50Ø
Weight	3.5kg
Operating Temperature	-40°C~80°C

AGA-5828T

5.8GHz Grid Antenna 28dBi

Pattern



Installation Guide

